



Eaton 5P Tower UPS

Enterprise class battery backup in a space-saving tower design for network closets and computer rooms.

Space-saving: The Eaton 5P tower provides premium protection while conserving value space in multiple, slim tower designs.

Efficiency: The 5P provides industry leading efficiency of up to 99 percent.

Manageability:

- **UPS management:** By integrating Eaton's free Intelligent Power® Software Suite, you can monitor and manage the power devices on your network.
- **Energy metering:** The 5P meters energy consumption at the UPS level.

LCD display: Eaton's next-generation LCD offers a graphical interface which provides all critical UPS information in a single screen view.

More power: The 5P protects more devices by providing 20 percent more wattage compared to traditional UPSs.

Battery life: Eaton's exclusive ABM® technology increases battery service life by 50 percent.

ENERGY STAR®: 5P 2200 and 3000 VA tower models are ENERGY STAR® qualified. ENERGY STAR helps consumers save money and protect the environment through energy efficient products and practices.



Intelligent Power Software Suite

By integrating the software with the Eaton 5P, you can:

- Seamlessly integrate with VMware's vCenter Server™ virtualization management solution, as well as virtualization platforms such as Citrix® XenServer, Microsoft SCVMM™, Red Hat® and other Xen® open source platforms
- Initiate live migration of virtual machines (VM) to automatically and transparently migrate VMs during power disruptions to unaffected devices with systems such as VMware vMotion™ and Microsoft Live Migration
- Execute graceful shutdown of computers and virtual machines/servers during an extended power outage

To learn more, please visit: Eaton.com/intelligentpower

Services and support

Eaton provides product support 24 hours a day, 7 days a week. From battery replacement to full UPS service plans, Eaton has one of the top service models in the industry.

Three-year warranty

The 5P warranty covers both the UPS and the batteries for three years. No other manufacturer in the industry offers as comprehensive a warranty.



5P TOWER MODEL SELECTION GUIDE*

Catalog number	Rating (VA/watts)	Input connection	Output receptacles	Dimensions (H x W x D), in	Net weight, lb
Tower 120V 50/60 Hz models					
5P750	750/600	5-15P	(8) 5-15R	9.1 x 5.9 x 13.6	22.7
5P1000	1000/770	5-15P	(8) 5-15R	9.1 x 5.9 x 13.6	24.4
5P1500	1440/1100	5-15P	(8) 5-15R	9.1 x 5.9 x 17.5	35.3
5P2200	1950/1920	5-20P	(4) 5-20R, (4) 5-15R	3.4 x 17.4 x 20.6	65.0
5P3000	3000/2700	L5-30P	(6) 5-20R, (1) L5-30R	3.4 x 17.4 x 25.4	87.0
Tower 208 or 230V 50/60 Hz models					
5P850G	850/600	C14	(6) C13	9.1 x 5.9 x 13.6	21.9
5P1550G	1550/1100	C14	(8) C13	9.1 x 5.9 x 17.5	35.2

*Due to continuous product improvement programs, all specifications are subject to change without notice. Please visit Eaton.com/5P to view complete and updated product specifications.

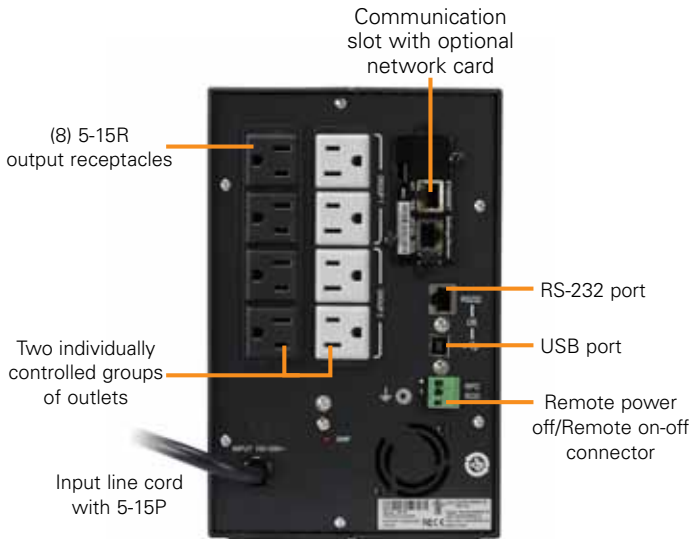
Additional options

Connectivity	Catalog number	For use with
Network Card-MS	NETWORK-MS	All models
Relay / Serial Interface Card	RELAY-MS	All models
Environmental Monitoring Probe	116750224-001	All models (requires Network Card-MS)

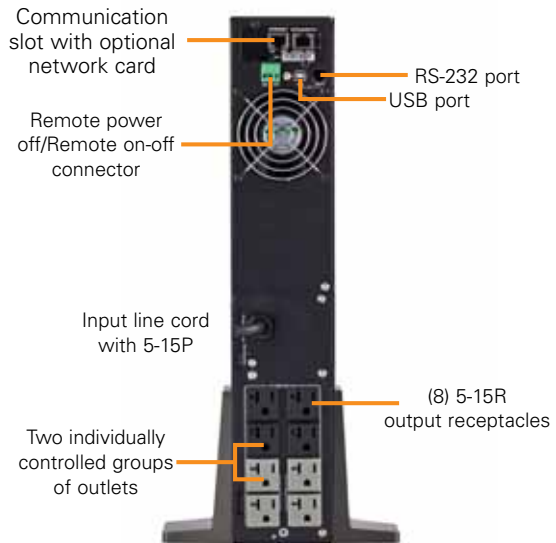
What's in the box

- User manual CD
 - Intelligent Power Software Suite CD
 - Quick start guide
 - USB cable
 - RS-232 cable
- G models only**
- 2 IEC-to-IEC jumper cables
- 2200/3000 models only**
- Tower pedestals and Phillips head screw driver

5P750 rear panel



5P2200 rear panel



To interact with the Eaton 5P Tower UPS, please visit: Eaton.com/5P



Microsoft Partner Network

Eaton
Electrical Sector
1000 Eaton Boulevard
Cleveland, OH 44122 USA
Eaton.com

Powerquality.eaton.com

©2013 Eaton
All Rights Reserved
Printed in USA
BR153008EN
May 2013

Eaton is a registered trademark of Eaton Corporation.

All other trademarks are property of their respective owners.

ENERGY STAR and the ENERGY STAR mark are registered U.S. marks. ENERGY STAR is a registered mark owned by the U.S. government.